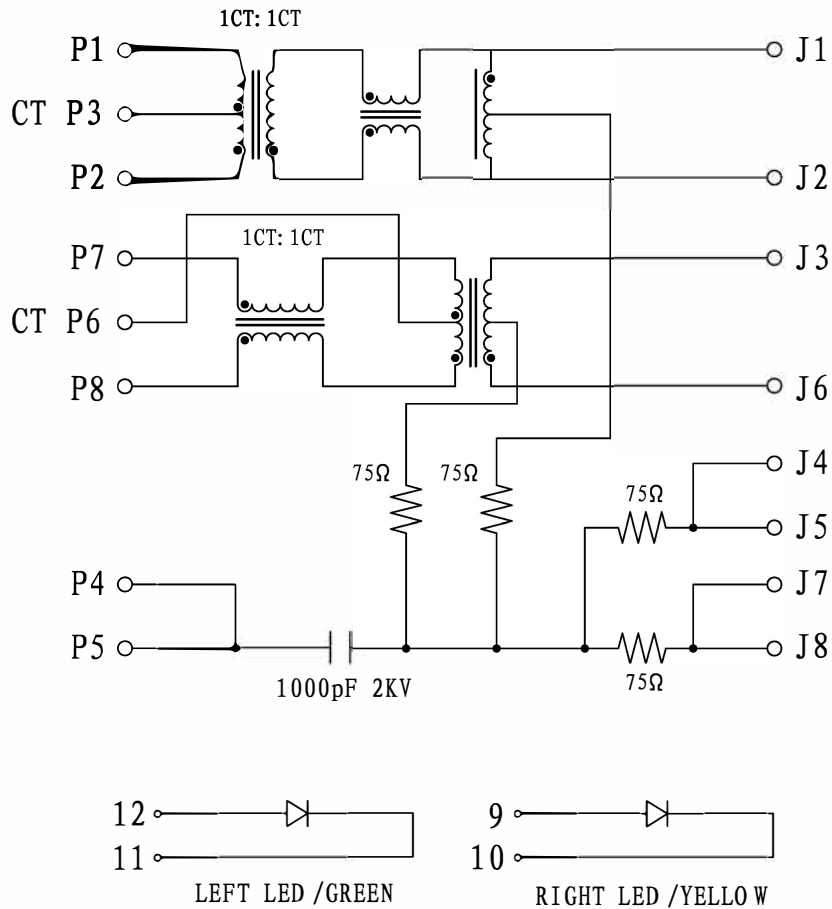


2、ELECTRONICAL (产品电子原理图)



REV.	DESCRIPTION	ECN NO.	DATE
A	FIRST RELEASE		2012.08.11
B	UPDATE STRUCTURE		2014.10.20



ELECTRICAL SPECIFICATIONS

- ◆ ALL TEST CONDITIONS @ 25°C UNLESS OTHERWISE NOTED.
- ◆ TURN RATIO:
 - TX, SECONDARY : PRIMARY = 1CT:1CT ± 3%.
 - RX, SECONDARY : PRIMARY = 1CT:1CT ± 3%.
- ◆ OCL: 350uH MIN, 8mA DC BIAS CURRENT.
- ◆ INSERTION LOSS: 1-100MHZ -1.0dB MAX.
- ◆ RETURN LOSS:

1MHZ TO 10MHZ	: -18dB MIN.
10MHZ TO 30MHZ	: -16dB MIN.
30MHZ TO 60MHZ	: -14dB MIN.
60MHZ TO 80MHZ	: -12dB MIN.
80MHZ TO 100MHZ	: -10dB MIN.
- ◆ CROSSTALK: 1MHZ TO 100MHZ : -35dB MIN.
- ◆ COMMON MODE REJECTION: 1-100MHZ : -35dB MIN.
- ◆ HIPOT: 1500V AC 1mA 1S.
- ◆ CAPACITOR: 1000pF ± 25% 2KV.
- ◆ RESISTANCE: 75OHMS ± 20%.
- ◆ RESISTANCE OF COIL: 1.80HMS MAX, 0.250HMS MIN.
- ◆ LEFT LED COLOR: GREEN; RIGHT LED COLOR: YELLOW.

ORDER INFORMATION:

SK01 - 11 1 003 NL -(Y/N)
 A B C D E F

A: IT STANDS FOR THE DIFFERENT RJ45 DESIGNING OF COMPANY, SUCH AS "SK" STANDS FOR COMPANY BUT "XX" STANDS FOR THE SERIES NUMBER OF DIFFERENT PRODUCTS.

B: THE PARTS ARE SINGLE OR MULTI-PORTS: SUCH AS SK01-11XXXX, IT MEANS 1X1 SINGLE PORT, SK01-21XXXX, MEANS 2X1 OR 1X2, IT IS A DUAL PORTS RJ45 FILTERED CONNECTOR. "G" THE MEAN IS 1000BASE REQUIREMENT.

C: TELLS IT IS A LEDS VERSION OR NOT, "1" MEANS WITH LEDS, "0" OR ELSE IS WITHOUT LEDS.

D: IT STANDS FOR THE PARTS'S SERIES NO.

E: NL=ROHS COMPLAINT.

F: CONTACT PLATING CODE: NORMAL TYPE IS NO MARK, IT STANDS FOR THE CONTACT AREA OF CONTACT PIN IS 6U" GOLD PLATING. MORE THAN 6U" NEED MARK 15 OR 30 OR 50. ETC.



LIMITED

TITLE: 10/100 BASE-TX 1*1
 TAB-UP RJ45 WITH LED

SIGNATURE		DATE	Page	PART NO: SK01-111003NL
DRAWING	Luguinan	2014.10.20		
CHECK	Huxingya	2014.10.20	Total	REV: B
APPROVED	Sky Guo	2014.10.20		
				DWG NO: CSAK-0103